

MOTOR CLINIC LTD
 TRENTHAM ROAD
 LONGTON ST3 4DJ
 01782 332923

Customer: Mr Bird License No: B7EMB Order No.: Date: 18/12/2023 03:33
 Company: Odometer: 133027 VIN: Technician: SB

Vehicle FORD 2014 MONDEO Wagon Standard Suspension

BEFORE		AFTER		FRONT WHEELS		AFTER		BEFORE	
TOE		TOE		TOTAL TOE		TOE		TOE	
				1.3mm					
2.4mm	0.7mm					0.6mm	-1.8mm		
CAMBER		CAMBER				CAMBER		CAMBER	
-01° 04'	-01° 02'					-00° 58'	-00° 56'		
CASTER		CASTER				CASTER		CASTER	
----	----					----	----		
BEFORE		AFTER		REAR WHEELS		AFTER		BEFORE	
TOE		TOE		TOTAL TOE		TOE		TOE	
				-0.7mm					
0.4mm	0.5mm					-1.2mm	-1.2mm		
CAMBER		CAMBER				CAMBER		CAMBER	
-02° 01'	-02° 02'					-02° 15'	-02° 16'		
				THRUST					
				0.8mm					

Besides improved fuel economy, handling and safety, what do these measurements mean?



CASTER is the tilt of the axis that the wheel steers around. It affects how the vehicle tracks as you drive down the road and can affect handling.



CAMBER is the angle of the tire in relation to the road surface. It affects tire wear, and handling when turning.



TOE is a measurement of how much the wheel is turned in or out from a straight-ahead position. It affects tire wear, handling and can make your steering wheel crooked.

Your vehicle has been aligned using a precision **JohnBean** wheel aligner.

MOTOR CLINIC LTD
TRENTHAM ROAD
LONGTON ST3 4DJ
01782 332923

Customer: Mr Bird

License No: B7EMB

Order No.:

Date: 18/12/2023 03:33

Company:

Odometer: 133027

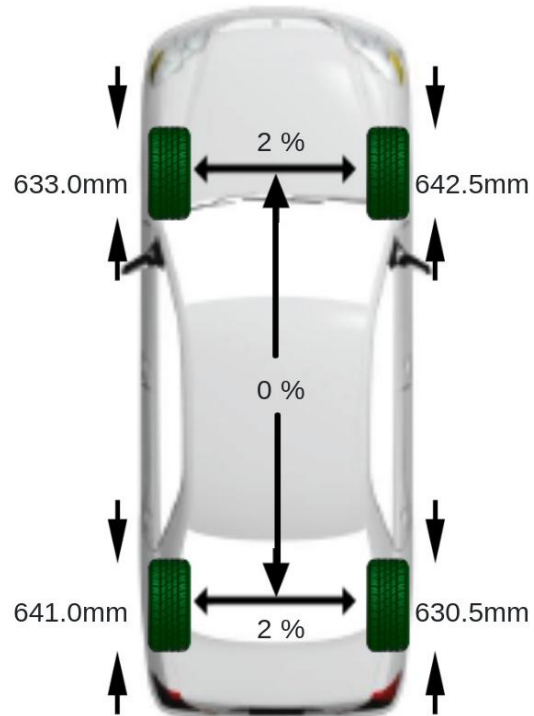
VIN

Technician: SB

Vehicle FORD 2014 MONDEO Wagon Standard Suspension

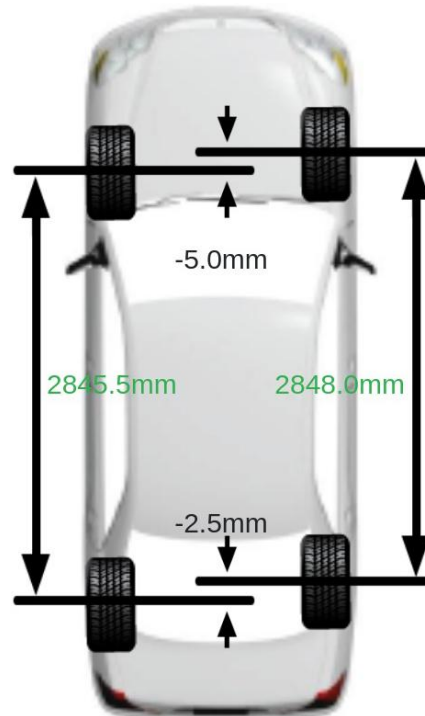
DIAMETER DIFFERENCE MEASUREMENT

ALIGNED



WHEELBASE MEASUREMENT

ALIGNED



CROSS DIAGONAL MEASUREMENT

ALIGNED

